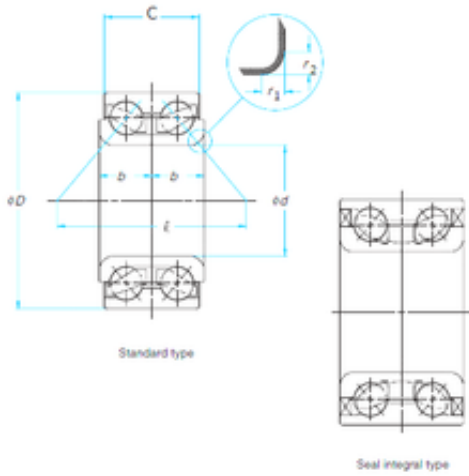




## BEARING Driveshaft do Brasil



35 mm x 72,04 mm x 33 mm CRBD09025B  
High Precision Crossed Roller Bearing  
90mmx210mmx25mm

Bearing No. 513002

Size	35x72.04x33 mm
Bore Diameter	35 mm
Outer Diameter	72,04 mm
Width	33 mm
d	35 mm
D	72,04 mm
B	33 mm

513002 Bearing 2D drawings and 3D CAD models