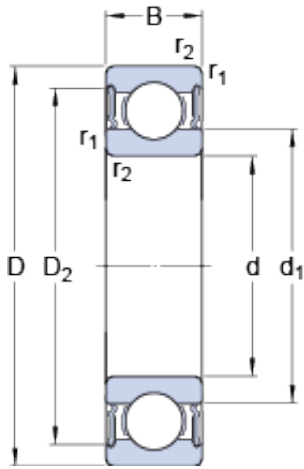




BEARING Driveshaft do Brasil



45 mm x 75 mm x 16 mm CRBC 02008 High Precision Crossed Roller Bearing
20mmx36mmx8mm

Bearing No. 63009-2RS1

63009-2RS1 Bearing 2D drawings and 3D CAD models

| | |
|-------------------------------------------|--------------------------|
| Size | 75x45x16 mm |
| Bore Diameter | 75 mm |
| Outer Diameter | 45 mm |
| Width | 16 mm |
| d | 45 mm |
| D | 75 mm |
| B | 16 mm |
| d ₁ | 54.75 mm |
| D ₂ | 67.8 mm |
| r _{1,2} - min. | 1 mm |
| d _a - min. | 50.8 mm |
| d _a - max. | 54.7 mm |
| D _a - max. | 69.2 mm |
| r _a - max. | 1 mm |
| Basic dynamic load rating - C | 20.8 kN |
| Basic static load rating - C ₀ | 14.6 kN |
| Fatigue load limit - P _u | 0.64 kN |
| Limiting speed | 5600 r/min |
| Calculation factor - k _r | 0.025 |
| Calculation factor - f ₀ | 14.9 |
| Category | Single Row Ball Bearings |
| Inventory | 0.0 |
| Manufacturer Name | SKF |



BEARING Driveshaft do Brasil

| | |
|---------------------------------|-----------------------------------------------------------------------------------------------------------------------------------------------------------------|
| Minimum Buy Quantity | N/A |
| Weight / Kilogram | 0.368 |
| Product Group | B00308 |
| Enclosure | 2 Seals |
| Precision Class | ABEC 1 ISO P0 |
| Maximum Capacity / Filling Slot | No |
| Rolling Element | Ball Bearing |
| Snap Ring | No |
| Internal Special Features | No |
| Cage Material | Steel |
| Enclosure Type | Contact Seal |
| Internal Clearance | C0-Medium |
| Inch - Metric | Metric |
| Long Description | 45MM Bore; 75MM Outside Diameter; 23MM Outer Race Diameter; 2 Seals; Ball Bearing; ABEC 1 ISO P0; No Filling Slot; No Snap Ring; No Internal Special Features |
| Other Features | Cartridge Bearing |
| Category | Single Row Ball Bearing |
| UNSPSC | 31171504 |
| Harmonized Tariff Code | 8482.10.50.68 |
| Noun | Bearing |
| Keyword String | Ball |
| Manufacturer URL | http://www.skf.com |
| Manufacturer Item Number | 63009-2RS1 |
| Weight / LBS | 0.81 |
| Outer Race Width | 0.906 Inch 23 Millimeter |
| Outside Diameter | 2.953 Inch 75 Millimeter |
| Bore | 1.772 Inch 45 Millimeter |
| bore diameter: | 45 mm |
| | |



BEARING Driveshaft do Brasil

| | |
|--------------------------------|--------------------------|
| static load capacity: | 14.6 kN |
| outside diameter: | 75 mm |
| precision rating: | ABEC 3 (ISO Class 6) |
| overall width: | 23 mm |
| finish/coating: | Uncoated |
| bore type: | Round |
| cage material: | Steel |
| closure type: | Double Sealed |
| outer ring width: | 23 mm |
| row type & fill slot: | Single Row Non-Fill Slot |
| fillet radius: | 1 mm |
| internal clearance: | C0 |
| maximum rpm: | 5600 RPM |
| operating temperature range: | -40 to +210 ° F |
| series: | 63 |
| dynamic load capacity: | 20.8 kN |
| d_1 | 54.75 mm |
| D_2 | 67.8 mm |
| $r_{1,2}$ min. | 1 mm |
| d_a min. | 50.8 mm |
| d_a max. | 54.7 mm |
| D_a max. | 69.2 mm |
| r_a max. | 1 mm |
| Basic dynamic load rating C | 20.8 kN |
| Basic static load rating C_0 | 14.6 kN |
| Fatigue load limit P_u | 0.64 kN |
| Calculation factor k_r | 0.025 |
| Calculation factor f_0 | 14.9 |
| Mass bearing | 0.35 kg |