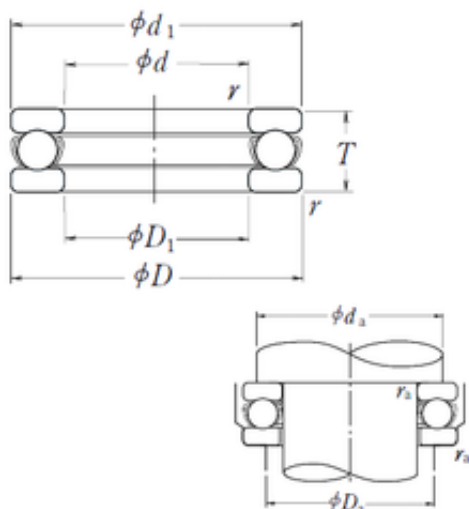




BEARING Driveshaft do Brasil



CRA 5008 Thin Section Bearings 50x66x8mm

Bearing No. 51201

Size	12x28x11 mm
Bore Diameter	12 mm
Outer Diameter	28 mm
Width	11 mm
d	12 mm
D	28 mm
T	11 mm
d1	28 mm
r min.	0,6 mm
D1	14 mm
da min.	22 mm
Da max.	18 mm
ra max.	0,6 mm
Weight	0,031 Kg
Basic dynamic load rating (C)	13,3 kN
Basic static load rating (C0)	19 kN
(Grease) Lubrication Speed	5600 r/min
Category	Thrust Ball Bearing
Inventory	0.0
Manufacturer Name	NSK
Minimum Buy Quantity	N/A
Weight / Kilogram	0.03
EAN	0029176029141
Product Group	B00308
Rolling Element	Ball Bearing
Thrust Bearing	Yes

51201 Bearing 2D drawings and 3D CAD models



BEARING Driveshaft do Brasil

Single or Double Direction	Single Direction
Banded	No
Cage Material	Steel
Precision Class	Non-Precision
Component Description	Roller Assembly Plus Raceways
Other Features	Single Row With Flat Seat
Long Description	12MM Bore 1; 14MM Bore 2; 28MM Outside Diameter; 11MM Height; Ball Bearing; Single Direction; Not Banded; Steel Cage; Non-Precision
Inch - Metric	Metric
Category	Thrust Ball Bearings
UNSPSC	31171552
Harmonized Tariff Code	8482.10.50.08
Noun	Bearing
Keyword String	Ball Thrust
Manufacturer URL	http://www.nskamericas.com
Manufacturer Item Number	51201
Weight / LBS	0.06834
Bore 2	0.551 Inch 14 Millimeter
Height	0.433 Inch 11 Millimeter
Outside Diameter	1.102 Inch 28 Millimeter
Overall Height with Aligning Washer	0 Inch 0 Millimeter
Bore 1	0.472 Inch 12 Millimeter
bore diameter:	12 mm
static load capacity:	4250 lbf
outside diameter:	28 mm
dynamic load capacity:	2980 lbf
overall width:	11 mm



BEARING Driveshaft do Brasil

operating temperature range:	Maximum of +120 ° C
thrust bearing type:	Single-Direction
maximum rpm:	8500 rpm
outside diameter design:	Straight
cage material:	Steel Cage
separable or banded:	Separable
fillet radius:	.6 mm
race type:	Flat
series:	51200
precision rating:	ABEC1, P0
SRI	3
hidYobi	51201
LangID	1
D_	28
SREX	0.03
C	13.3
B_	11
hidTable	ecat_NSSDTB
Oil rpm	8500
SRE	3
mass	0.031
GRS rpm	5600
ra	0.6
SRIX	0.03
D_a	18
SRIN	0
C0	19
SREN	0
D_1	14
Prod_Type3	TB_SD_WFS
da	22
DA_	5.556



BEARING Driveshaft do Brasil

Z_	10
yobi	51201
SDM_	20
r	0.6
T_	11
KBRG	5111