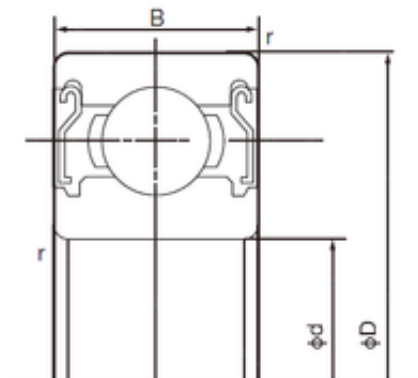




BEARING Driveshaft do Brasil

35 mm x 80 mm x 21 mm 3R8-98P9 No Gear
Heavy Duty Slewing
Bearing(105.12*91.34*5.79inch) For Large
Industrial Turntables



Bearing No. 6307ZZE

6307ZZE Bearing 2D drawings and 3D CAD models

Size	35x80x21 mm
Bore Diameter	35 mm
Outer Diameter	80 mm
Width	21 mm
d	35 mm
D	80 mm
B	21 mm
C	21 mm
r min.	1.5 mm
da min.	44 mm
Da max.	71 mm
ra max.	1.5 mm
Weight	0.457 Kg
Basic dynamic load rating (C)	33,5 kN
Basic static load rating (C0)	19,2 kN
(Grease) Lubrication Speed	8400 r/min
Category	Single Row Ball Bearings
Inventory	0.0
Manufacturer Name	NACHI
Minimum Buy Quantity	N/A
Weight / Kilogram	0
EAN	4991893775006
Product Group	B00308



BEARING Driveshaft do Brasil

Enclosure	2 Metal Shields
Precision Class	ABEC 1 ISO P0
Maximum Capacity / Filling Slot	No
Rolling Element	Ball Bearing
Snap Ring	No
Internal Special Features	No
Cage Material	Steel
Internal Clearance	C0-Medium
Inch - Metric	Metric
Long Description	35MM Bore; 80MM Outside Diameter; 21MM Outer Race Width; 2 Metal Shields; Ball Bearing; ABEC 1 ISO P0; No Filling Slot; No Snap Ring; No Internal Special Features; C0-Medium Internal Clearance; Stee
Other Features	Deep Groove
Category	Single Row Ball Bearing
UNSPSC	31171504
Harmonized Tariff Code	8482.10.50.68
Noun	Bearing
Keyword String	Ball
Manufacturer URL	http://www.nachiamerica.com
Bore	1.378 Inch 35 Millimeter
Inner Race Width	0 Inch 0 Millimeter
Outside Diameter	3.15 Inch 80 Millimeter
Outer Race Width	0.827 Inch 21 Millimeter
Bore Type	Cylindrical Bore
Configuration	Single Row
Bore Size	35 mm
Width	21 mm



BEARING Driveshaft do Brasil

Fillet Radius/Chamfer	1.5 mm
Dynamic Load Rating	33,500 N
Static Load Rating	19,200 N
Limiting Speed - Grease	8,800 rpm
Factor fo	13.2
Radial Clearance	0.006 to 0.020 mm
da (min)	44 mm
Da (max)	71 mm
ra (max)	1.5 mm