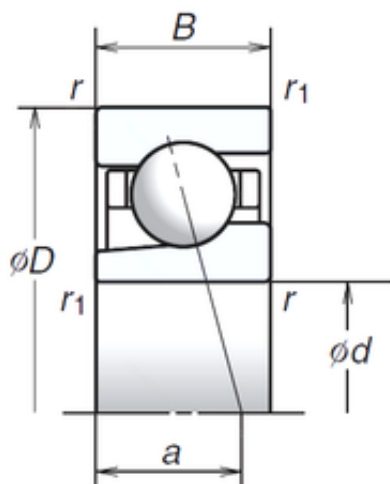




BEARING Driveshaft do Brasil



12 mm x 28 mm x 8 mm L6-25E9ZD Slewing Rings(29.15*21.02*2.2inch) With External Gears For Mining And Forestry Equipment

Bearing No. 12BGR10X

| | |
|-------------------------------|---------------|
| Size | 12x28x8 mm |
| Bore Diameter | 12 mm |
| Outer Diameter | 28 mm |
| Width | 8 mm |
| d | 12 mm |
| D | 28 mm |
| B | 8 mm |
| C | 8 mm |
| Angle (°) | 15 ° |
| a | 6,7 mm |
| r min. | 0,3 mm |
| r1 min. | 0,15 mm |
| Weight | 0,018 Kg |
| Basic dynamic load rating (C) | 3,85 kN |
| Basic static load rating (C0) | 1,48 kN |
| (Grease) Lubrication Speed | 110 000 r/min |
| (Oil) Lubrication Speed | 150 000 r/min |

12BGR10X Bearing 2D drawings and 3D CAD models