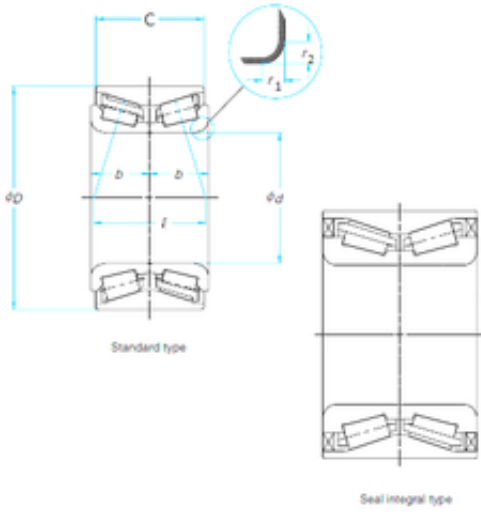




BEARING Driveshaft do Brasil



42 mm x 80 mm x 38 mm RKS.900155101001
Four Point Contact Slewing
Bearing(234*125*25mm) Without Gear Teeth For
Machine Tools

Bearing No. 516005

Size	42x80x38 mm
Bore Diameter	42 mm
Outer Diameter	80 mm
Width	38 mm
d	42 mm
D	80 mm
B	38 mm
C	38 mm

516005 Bearing 2D drawings and 3D CAD models