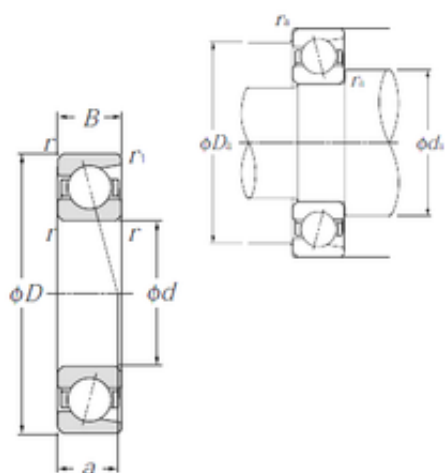




BEARING Driveshaft do Brasil



50 mm x 80 mm x 16 mm 12-250455/1-04210
Slewing Bearing With Internal Gear
304/555/80mm

Bearing No. 7010

7010 Bearing 2D drawings and 3D CAD models

Size	50x80x16 mm
Bore Diameter	50 mm
Outer Diameter	80 mm
Width	16 mm
d	50 mm
D	80 mm
B	16 mm
C	16 mm
Angle (°)	25 °
a	27 mm
r min.	1 mm
r1 min.	0,6 mm
da min.	55,5 mm
db min	55,5 mm
ra max.	1 mm
Weight	0,306 Kg
Basic dynamic load rating (C)	23,7 kN
Basic static load rating (C0)	20,1 kN
(Grease) Lubrication Speed	8 600 r/min
Contact angle	30 °
rs min	1 mm
r1s min	0.6 mm
Mass	0.31 kg
Dynamic load, C	23.7 kN



BEARING Driveshaft do Brasil

Static load, C0	20.1 kN
Fatigue limit load, Cu	0.91 kN
Nlim (oil)	11,000 rpm
Nlim (grease)	8,600 rpm
Min operating temperature, Tmin	-20 ° C
Max operating temperature, Tmax	120 ° C
Characteristic cage frequency, FTF	0.44 Hz
Characteristic rolling element frequency, BSF	7.35 Hz
Characteristic outer ring frequency, BPF0	8.4 Hz
Characteristic inner ring frequency, BPF1	10.6 Hz
da min	55.5 mm
Da max	74.5 mm
Db max	75.5 mm
r1a max	0.6 mm
ra max	1 mm
Category	Angular Contact Ball Bearings
Inventory	0.0
Manufacturer Name	NTN
Minimum Buy Quantity	N/A
Weight / Kilogram	0.299
Product Group	B00308
Enclosure	Open
Flush Ground	No
Rolling Element	Ball Bearing
Number of Rows of Balls	Single Row
Precision Class	ABEC 1 ISO P0
Maximum Capacity / Filling Slot	No



BEARING Driveshaft do Brasil

Snap Ring	No
Cage Material	Steel
Contact Angle	30 Degree
Internal Clearance	C0-Medium
Number of Bearings	1 (Single)
Inch - Metric	Metric
Long Description	50MM Bore; 80MM Outside Diameter; 16MM Width; Open; No Flush Ground; Ball Bearing; Single Row of Balls; ABEC 1 ISO P0; No Filling Slot; No Snap Ring; C0-Medium; Steel Cage; 30 Degree; 1 (Single)
Category	Angular Contact Ball Bearing
UNSPSC	31171531
Harmonized Tariff Code	8482.10.50.28
Noun	Bearing
Keyword String	Angular Contact
Manufacturer URL	http://www.ntnamerica.com
Manufacturer Item Number	7010
Bore	1.969 Inch 50 Millimeter
Width	0.63 Inch 16 Millimeter
Outside Diameter	3.15 Inch 80 Millimeter
bore diameter:	50 mm
radial static load capacity:	20100 N
outside diameter:	80 mm
operating temperature range:	-40 to 120 ° C
overall width:	16 mm
cage material:	Nylon
contact angle:	30 °
outer ring width:	16 mm



BEARING Driveshaft do Brasil

row type & fill slot:	Single-Row Non-Fill Slot
maximum rpm:	11000 rpm
internal clearance:	C0
finish/coating:	Uncoated
bore type:	Round
precision rating:	ISO Class 0
closure type:	Open
fillet radius:	1 mm
snap ring included:	Without Snap Ring
series:	70
bearing material:	High Carbon Chrome Steel
weight:	0.299 kg
radial dynamic load capacity:	23700 N
manufacturer product page:	Click here